



Electrolux
PROFESSIONAL

**Modular Cooking Range Line
Pasta Cooker, gas, 10.5gal**

ITEM # _____
MODEL # _____
NAME # _____
SIS # _____
AIA # _____

Electrolux
PROFESSIONAL



391201 (E9PCGD1MF2) Pasta Cooker, gas, Single 10.5 gallon (40 Lt) tank, 66lb/hour capacity each, automatic starch removal, automatic low water level control, 9 position energy control, 316 stainless steel tank, stainless steel cabinet & legs, 53,000 BTU

Short Form Specification

Item No. _____

Pasta Cooker, gas, Single 10.5 gallon (40 Lt) tank, 66lb/hour capacity each, automatic starch removal, automatic low water level control, 9 position energy control, 316 stainless steel tank, stainless steel cabinet & legs, 53,000 BTU

Main Features

- In addition to cooking pasta, the appliance can be used for noodles of every kind, rice, dumplings and vegetables.
- High efficiency 16.5 kW burners in stainless steel with flame failure device and power settings for each well, located below the well.
- Water basin in 316-L type Stainless steel.
- Water basin is seamlessly welded into the top of the appliance.
- Provided with integrated drip zone on which baskets can be placed for draining purposes.
- 10.5gal (40 liters) water basin.
- Automatic starch removal function during cooking: improved water quality over time.
- Automatic low-water level shut-off: no accidental over-heating.
- Easy-to-use control panel with gas cock and piezo ignition.
- All major compartments located in front of unit for ease of maintenance.
- Continuous water filling regulated through a manual water tap.
- Large drain with manual ball-valve for fast emptying of well.
- Thermocouple device for added safety.
- The special design of the control knob system guarantees against water infiltration.
- One piece pressed 0.07" (2mm) work top in Stainless Steel.
- Unit delivered with four 2" (50mm) legs in stainless steel as standard (all round Stainless steel kick plates as option).

Construction

- All exterior panels in Stainless Steel with Scotch Brite finishing.
- Model has right-angled side edges to allow flush fitting joints between units, eliminating gaps and possible dirt traps.
- IPX5 water resistance certification.

Included Accessories

- 1 of Door for open base cupboard PNC 206350

Optional Accessories

- Junction sealing kit PNC 206086
- Air-draft diverter, 4 23/32" diam. PNC 206126
- Matching ring for flue condenser, 4 23/32" diam. PNC 206127
- Kit 4 wheels - 2 swiveling with brake PNC 206135

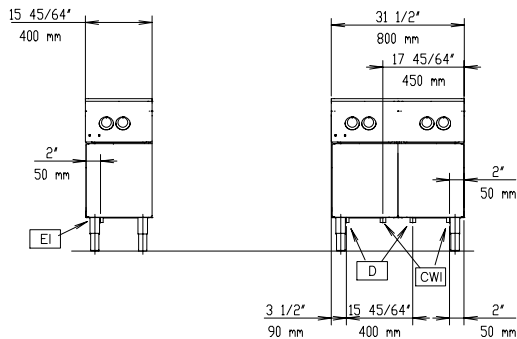
APPROVAL: _____

Modular Cooking Range Line
Pasta Cooker, gas, 10.5gal

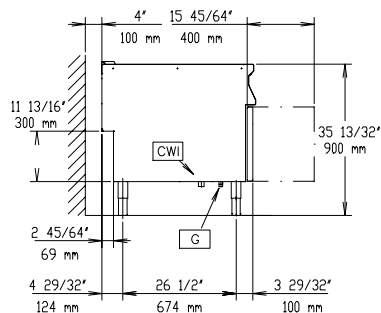


• Flanged feet kit	PNC 206136	<input type="checkbox"/>	• FRONTAL HANDRAIL 1600 MM	PNC 216050	<input type="checkbox"/>
• Frontal kicking strip for concrete installation, 15 3/4" wide	PNC 206147	<input type="checkbox"/>	• 2 side covering panels for free standing appliances	PNC 216134	<input type="checkbox"/>
• Frontal kicking strip for concrete installation 800 mm	PNC 206148	<input type="checkbox"/>	• Large handrail - portioning shelf, W=15 3/4"	PNC 216185	<input type="checkbox"/>
• Frontal kicking strip for concrete installation, 39 3/8" wide	PNC 206150	<input type="checkbox"/>	• Large handrail - portioning shelf, W=31 1/2"	PNC 216186	<input type="checkbox"/>
• Frontal kicking strip for concrete installation, 47 1/4" wide	PNC 206151	<input type="checkbox"/>	• Set of three baskets (11" x 6") for 10.5 gallon (40 Lt) pasta cooker	PNC 927210	<input type="checkbox"/>
• Frontal kicking strip for concrete installation, 63" wide	PNC 206152	<input type="checkbox"/>	• Pair of baskets (11" x 9") for 10.5 gallon (40 Lt) pasta cooker	PNC 927211	<input type="checkbox"/>
• Frontal kicking strip, 15 3/4" wide	PNC 206175	<input type="checkbox"/>	• Set of three portion baskets for 10.5 gallon (40 Lt) pasta cooker - round (requires support for baskets PNC 927219)	PNC 927212	<input type="checkbox"/>
• Frontal kicking strip, 31 1/2" wide	PNC 206176	<input type="checkbox"/>	• Set of six single-portion baskets for 10.5 gallon (40 Lt) pasta cooker - round - requires support rack (PNC 927219 or 960644)	PNC 927213	<input type="checkbox"/>
• Frontal kicking strip, 39 3/8" wide	PNC 206177	<input type="checkbox"/>	• Basket (11" x 18") for 10.5 gallon (40 Lt) pasta cooker	PNC 927216	<input type="checkbox"/>
• Frontal kicking strip, 47 1/4" wide	PNC 206178	<input type="checkbox"/>	• Support for 10.5 gallon (40 Lt) pasta cooker round basket	PNC 927219	<input type="checkbox"/>
• Frontal kicking strip, 63" wide	PNC 206179	<input type="checkbox"/>	• Top support for set of six pasta cooker round baskets. An alternative to 927219 when set of six round baskets used	PNC 960644	<input type="checkbox"/>
• Lid and lid holder for 10.5 gallon (40 Lt) pasta cooker	PNC 206190	<input type="checkbox"/>			
• Set of three ergonomic baskets for 10.5 gallon (40 Lt) pasta cooker. To be used with support PNC 206238	PNC 206233	<input type="checkbox"/>			
• Single ergonomic basket for 10.5 gallon (40 Lt) pasta cooker. To be used with support PNC 206238	PNC 206237	<input type="checkbox"/>			
• Support for 10.5 gallon (40 Lt) pasta cooker square baskets	PNC 206238	<input type="checkbox"/>			
• Chimney upstand, 16" (400mm)	PNC 206303	<input type="checkbox"/>			
• - NOT TRANSLATED -	PNC 206308	<input type="checkbox"/>			
• - NOT TRANSLATED -	PNC 206309	<input type="checkbox"/>			
• Flue condenser for 1/2 module, 120 mm diameter	PNC 206310	<input type="checkbox"/>			
• Energy saving device for pasta cookers	PNC 206344	<input type="checkbox"/>			
• Door for open base cupboard	PNC 206350	<input type="checkbox"/>			
• - NOT TRANSLATED -	PNC 206353	<input type="checkbox"/>			
• Base support assembly 32" (800 mm) for wheels for pasta cookers. To be used with PNC 206135.	PNC 206367	<input type="checkbox"/>			
• Base Support Assembly, 48" (1200mm) wide, for feet/wheels	PNC 206368	<input type="checkbox"/>			
• Base Support Assembly, 64" (1600mm) wide, for feet/wheels	PNC 206369	<input type="checkbox"/>			
• Base Support Assembly, 80" (2000mm) wide, for feet/wheels	PNC 206370	<input type="checkbox"/>			
• Rear paneling - 600mm	PNC 206373	<input type="checkbox"/>			
• Rear paneling - 800mm	PNC 206374	<input type="checkbox"/>			
• Rear paneling - 1000mm	PNC 206375	<input type="checkbox"/>			
• Rear paneling - 1200mm	PNC 206376	<input type="checkbox"/>			
• - NOT TRANSLATED -	PNC 206395	<input type="checkbox"/>			
• CHIMNEY GRID NET, 400MM-700&900LINE	PNC 206400	<input type="checkbox"/>			
• - NOT TRANSLATED -	PNC 206431	<input type="checkbox"/>			
• 2 square baskets, left and right, for 10.5 gallon pasta cooker. 6 baskets can be fitted in 900 pasta cooker. To be used with support PNC 206238	PNC 206433	<input type="checkbox"/>			
• Base support for feet or wheels (lateral) 900mm, only for US pasta cookers	PNC 206470	<input type="checkbox"/>			
• Side handrail-right/left hand	PNC 216044	<input type="checkbox"/>			
• FRONTAL HANDRAIL 400 MM	PNC 216046	<input type="checkbox"/>			
• FRONTAL HANDRAIL 800 MM	PNC 216047	<input type="checkbox"/>			
• FRONTAL HANDRAIL 1200 MM	PNC 216049	<input type="checkbox"/>			

Front

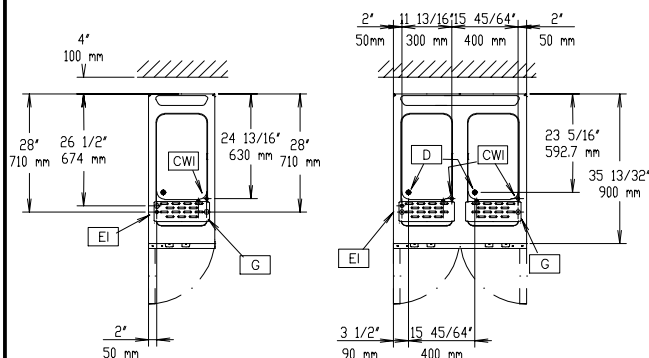


Side



D = Drain **WI = Water inlet**
EI = Electrical connection
EQ = Equipotential screw
G = Gas connection

Top



Electric

Supply voltage:

391201 (E9PCGD1MF2) 208/120 V/1 ph/60 Hz

Convertible to: 120V/1Ph/60Hz

Rated Amps: 0.15A (0.3A/120V)

Total Watts: 0.03 kW

Gas

Gas Power: 15.5 kW

Gas Type Option: LPG; Natural Gas

Gas Inlet: 3/4"

Natural gas - Pressure: 4" w.c. (10 mbar)

Water:

Drain "D": 1"

Incoming Cold/hot Water line size: 3/4"

Total hardness: 5-50 ppm

Electrolux Professional recommends the use of treated water, based on testing of specific water conditions.

Please refer to user manual for detailed water quality information.

Key Information:

Usable well dimensions

(width): 11 13/16" (300 mm)

Usable well dimensions

(depth): 20 1/2" (520 mm)

Usable well dimensions

(height): 10 1/4" (260 mm)

Well capacity: 8.45 gal (32 liters) MIN;
10.57 gal (40 liters) MAX

Well Capacity (MAX): 10.57 gal (40 litres) MAX

External dimensions, Width: 15 3/4" (400 mm)

External dimensions, Depth: 35 7/16" (900 mm)

External dimensions, Height: 33 7/16" (850 mm)

Net weight: 137 lbs (62 kg)

Shipping width: 18 1/8" (460 mm)

Shipping depth: 40 3/16" (1020 mm)

Shipping height: 42 1/2" (1080 mm)

Shipping weight: 148 lbs (67 kg)

Shipping volume: 17.89 ft³ (0.51 m³)

Certification group:

If appliance is set up or next to or against temperature sensitive furniture or similar, a safety gap of approximately 150 mm should be maintained or some form of heat insulation fitted.